

Preliminary Specifications

Drawing No.	USY1N-H1-18600-00
Issued Date.	Oct,1,2018

Messrs: Digikey

Note: Part Number will be revised in case of specification change.

Product Type	Quartz Crystal
Series	CX2016DB
Frequency	16000kHz
Customer Part Number	-
Customer Specification Number	-
KYOCERA Part Number	CX2016DB16000D0GLJCC
Remarks	Pb-Free, RoHS Compliant, MSL 1

Customer Approval

Approval Signature	Approved Date	
	Department	
	Person in charge	

Seller

KYOCERA Corporation

Corporate Electronic Components Group
Electronic Components Sales Division
6 Takeda Tobadono-cho, Fushimi-ku, Kyoto
612-8501 Japan
TE: 075-604-3500 FAX: 075-604-3501

Manufacturer

Corporate Electronic Components Group
Crystal Components Division
Shiga Yohkaichi Plant
1166-6 Hebimizo-cho, Higashiomi, Shiga
527-8555 Japan
TEL: 0748-22-1550 FAX: 0748-22-1590

Design Department	Quality Assurance	Approved by	Checked by	Issued by
KYOCERA Corporation Crystal Units Design Engineering Section Crystal Product Division	K.Shimizu	T.Fujii	A.Muraoka	R.Yoshida Y.Nozaki

Revision History

Rev.No.	Description of revision	Date	Approved by	Checked by	Issued by
00	First Edition	Oct,1,2018	T.Fujii	A.Muraoka	R.Yoshida Y.Nozaki

1. APPLICATION

The purpose of this document is applied to CX2016DB quartz crystal.

2. KYOCERA PART NUMBER

CX2016DB16000D0GLJCC

3. RATINGS

Items	SYMB.	Rating	Unit	Remarks
Operating Temperature range	Topr	-30~+85	deg. C	
Storage Temperature range	Tstg	-40~+85	deg. C	

4. CHARACTERISTICS

4-1 ELECTRICAL CHARACTERISTICS

Items	Electrical Specification					Test Condition	Remarks
	SYMB.	Min	Typ.	Max	Unit		
Mode of Vibration		Fundamental					
Nominal Frequency	F0		16		MHz		
Nominal Temperature	T _{NOM}		+25		°C		
Load Capacitance	CL	8.0			pF		
Frequency Tolerance	df/F	-15.0		+15.0	PPM	+25±3°C	
Frequency Temperature Characteristics	df/F	-15.0		+15.0		-30 to +85°C	
Frequency Aging Rate		-1.0		+1.0		1 st Year	+25±3°C
Equivalent Series Resistance	ESR			200	Ω		
Drive Level	Pd	0.01		100	μW		
Insulation Resistance	IR	500			MΩ	100V(DC)	

Measurement Condition

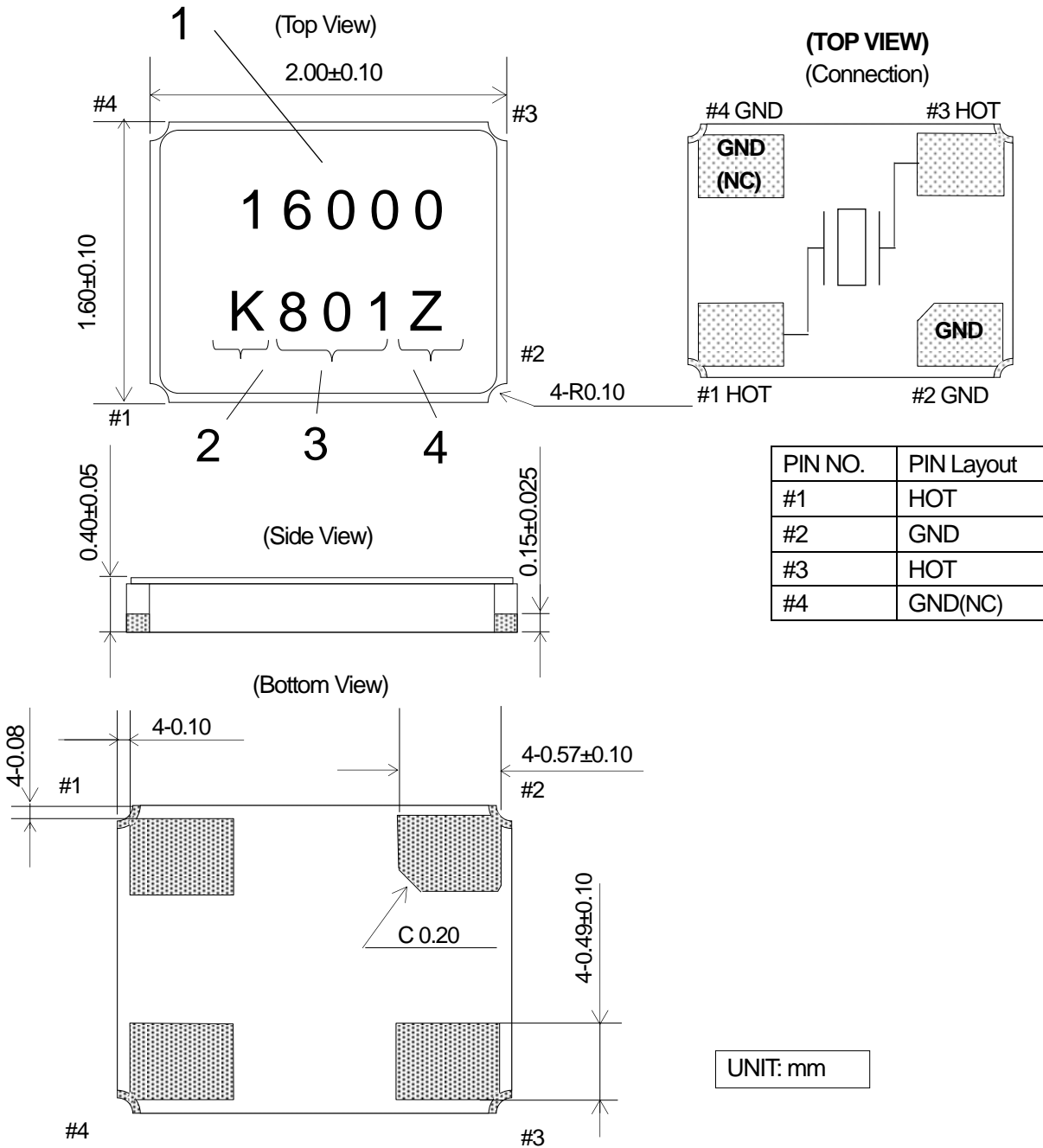
Frequency measurement

Measuring instrument : IEC PI-Network Test Fixture
IEC 60444-8 STD (Pi circuit 41901A)

Equivalent series resistance (ESR) measurement

Measuring instrument : IEC PI-Network Test Fixture
Load Capacitance : Series

5. APPEARANCES, PHYSICAL DIMENSION
OUTLINE DIMENSION (not to scale)

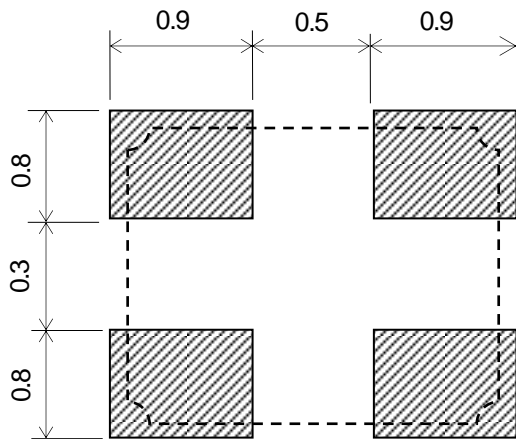


MARKING

- | | | |
|---|------------------------|---|
| 1 | Nominal Frequency | First 5digit of the frequency is indicated. |
| 2 | Identification | [K] is to indicate 1Pin direction. |
| 3 | Date Code | Last 1 Digit of YEAR and WEEK (Ex) 2018,Jan,01 → 801 |
| 4 | Manufacturing Location | Y→ Japan(Yamagata Higashine)
Z→Japan (Shiga Yohkaichi)
T→Thailand |

***The font of marking is for reference only.**

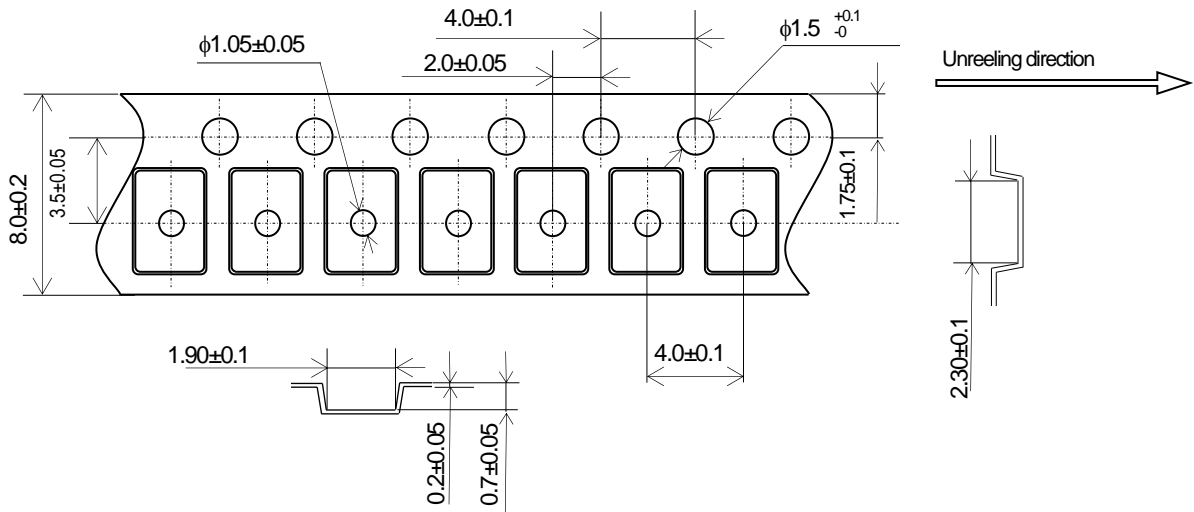
6. RECOMMENDED LAND PATTERN (not to scale)



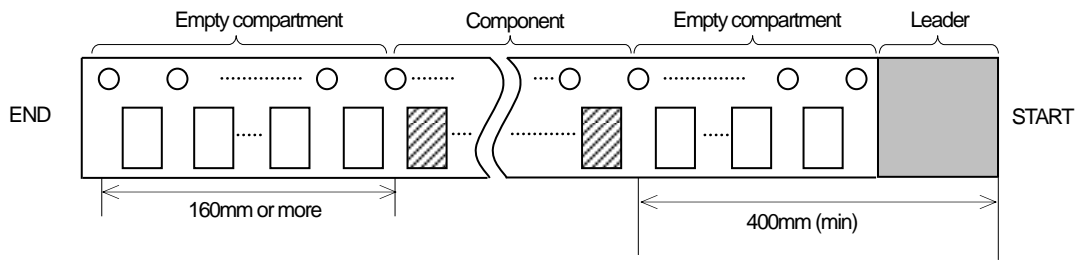
UNIT : mm

7. TAPING & REEL

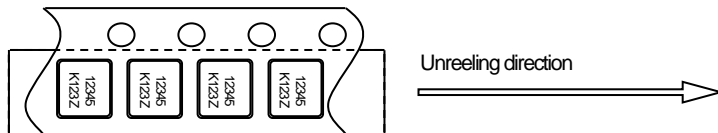
7-1. Dimensions



7-2. Leader and Carrier tape

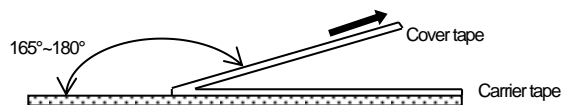


7-3. Direction (Orientation shall be checked from the top cover tape side)

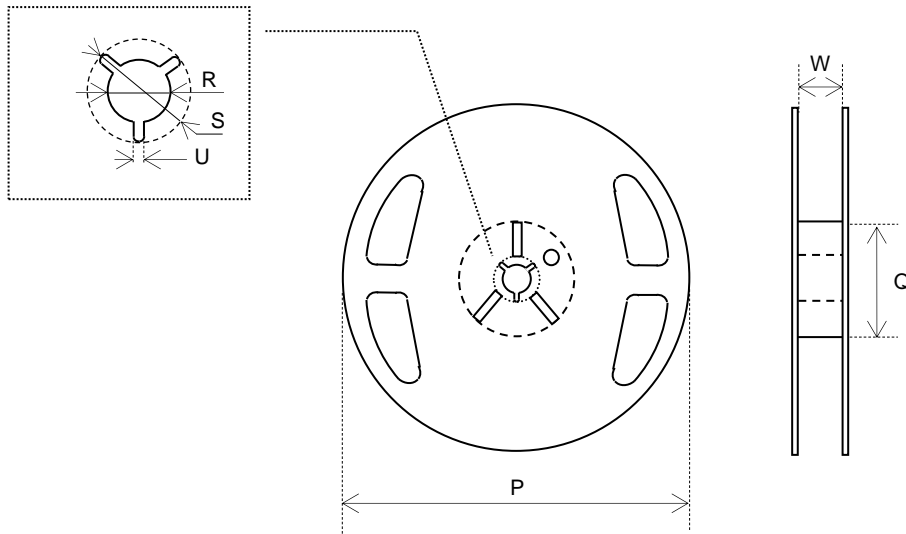


7-4. Specification

1. Material of the carrier tape is either polystyrene or A-PET (ESD).
2. Material of the cover tape is polyester (ESD).
3. The seal tape shall not cover the sprocket holes and not protrude from the carrier tape.
4. Tensile strength of carrier tape: 10N or more.
5. The R of the corner of each cavity is 0.2RMAX.
6. The alignment between centers of the cavity and sprocket hole shall be 0.05mm or less.
7. The orientation shall be checked from the top cover tape side as shown in 7-3.
8. Peeling force of cover tape: 0.1 to 1.0N.
9. The component will fall out naturally when cover tape is removed and set upside down.



7-5.Reel Specification



φ180 Reel (3,000 pcs Max.)

Symbol	P	Q	R
Dimension	φ180 +0/-3	φ60 +1/-0	φ13±0.2
Symbol	S	U	W
Dimension	φ21±0.8	2.0±0.5	9±1

(Unit: mm)

φ330 Reel (15,000 pcs Max.)

Symbol	P	Q	R
Dimension	φ330±2.0	φ100±1.0	φ13±0.2
Symbol	S	U	W
Dimension	φ21±0.8	2.0±0.5	9.4±1.0

(Unit: mm)

8.6 Resistance to Moisture Test condition

The quartz crystal unit shall be stored at a temperature of $+60\pm 2^{\circ}\text{C}$ with relative humidity of 90% to 95% for 240 h. Then it shall be subjected to room temperature for 1h before measurement.

8.7 Soldering condition 1.) Type of solder

Material → lead free solder paste

Melting point → $+220\pm 5^{\circ}\text{C}$

2.) Reflow temp.profile

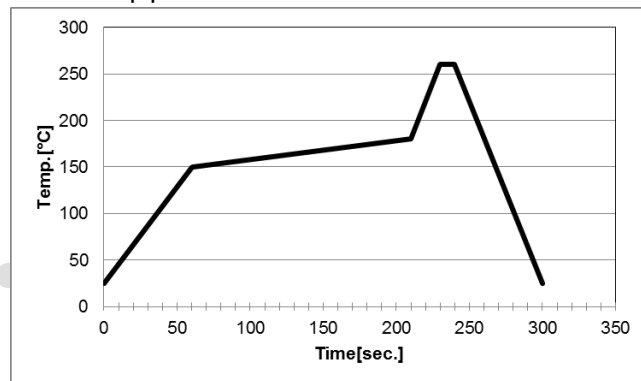
	Temp [°C]	Time[sec]
Preheating	+150 to +180	150 (typ.)
Peak	$+260\pm 5$	10 (max.)
Total	-	300 (max.)

Frequency shift : $\pm 2\text{ppm}$

3.) Hand Soldering $+350^{\circ}\text{C}$ 3 sec max

4.) Reflow Times 2 times in below Reflow temp. profile

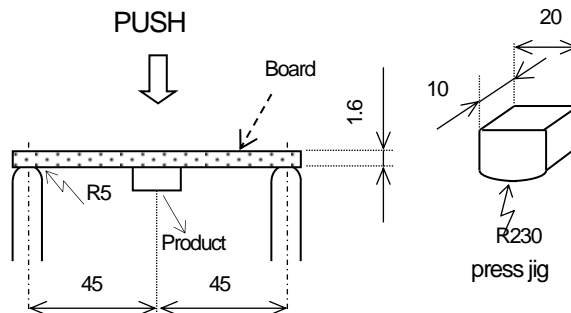
Reflow temp.profile



8.8 Bending Strength

Solder this product in center of the circuit board (40mm X 100mm), and add deflection of 3mm.

=1.6mm



UNIT : mm

9. Cautions for use

(1) Soldering upon mounting

There is a possibility to influence product characteristics when Solder paste or conductive glue comes in contact with product lid or surface.

(2) When using mounting machine

Please minimize the shock when using mounting machine to avoid any excess stress to the product.

(3) Conformity of a circuit

We strongly recommend to make sure that Negative resistance (Gain) of IC is designed to be 3 times the ESR (Equivalent Series Resistance) of crystal unit.

10. Storage conditions

Please store product in below conditions, and use within 6 months.

Temperature +18 to +30°C, and Humidity of 20 to 70 % in the packaging condition.

11. Manufacturing location

KYOCERA Corporation Shiga Yohkaichi Plant

KYOCERA Corporation Yamagata Higashine Plant

KYOCERA Crystal Device Corporation (THAILAND)

12. Quality Assurance

Location

KYOCERA Corporation Yamagata Higashine Plant: Quality Assurance Division

KYOCERA Corporation Shiga Yohkaichi Plant: Quality Assurance Division

13. Quality guarantee

In the case when KYOCERA Corporation rooted failure occurred within 1 year after its delivery, substitute product will be arranged based on discussion. Quality guarantee of product after 1 year of its delivery is waived.

14. Others

In case of any questions or opinions regarding the Specification, please have it in written manner within 45 days after issued date.